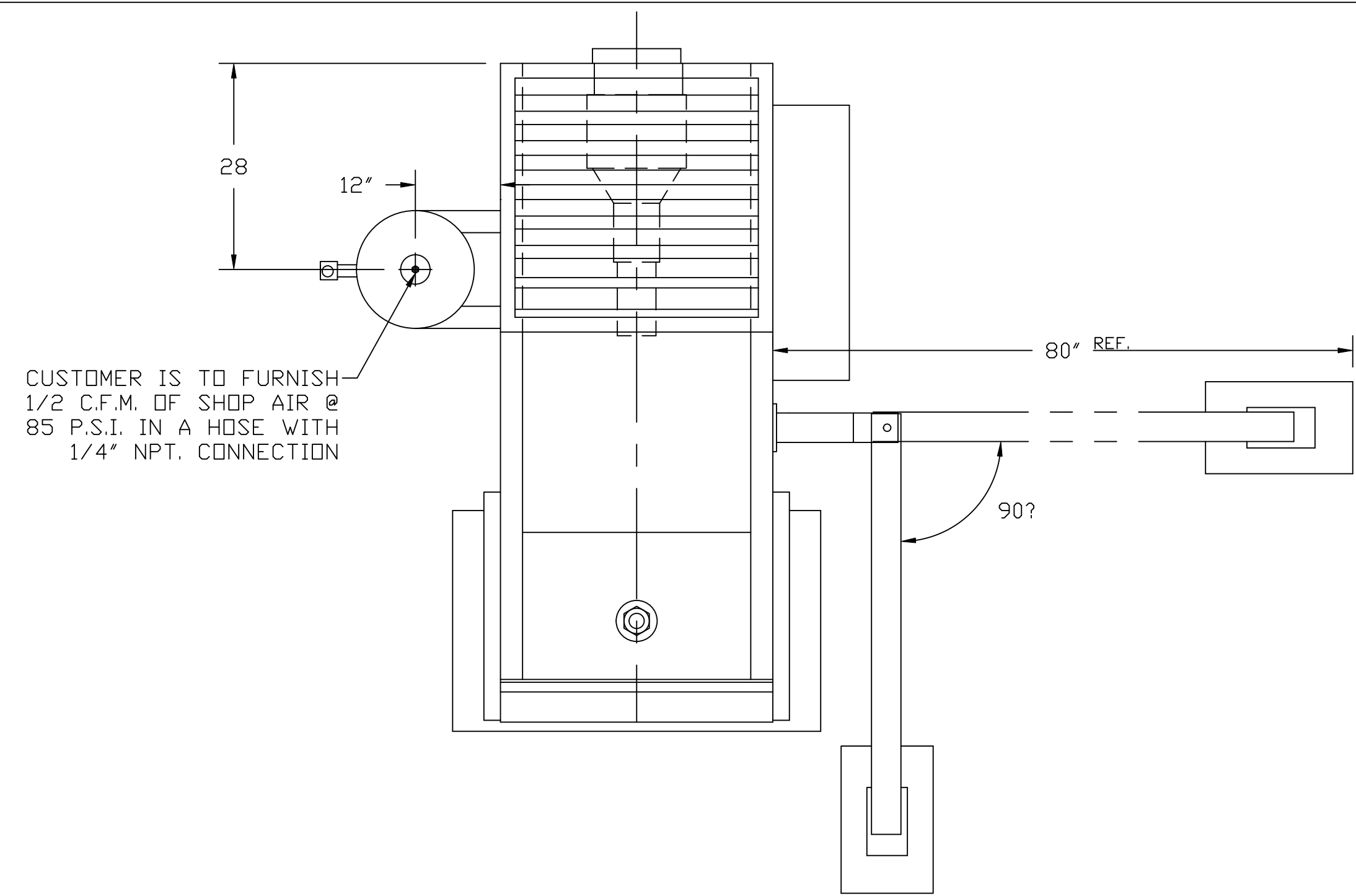
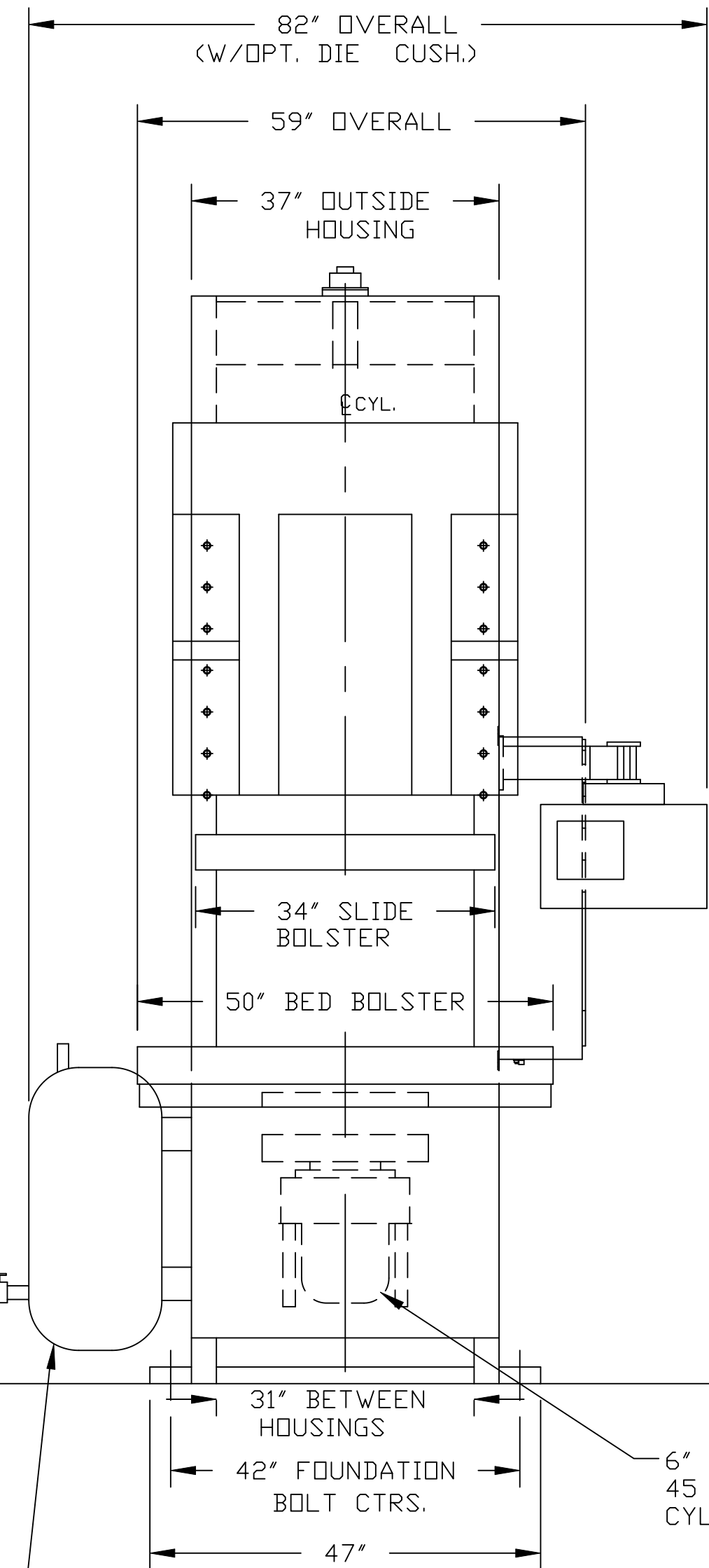
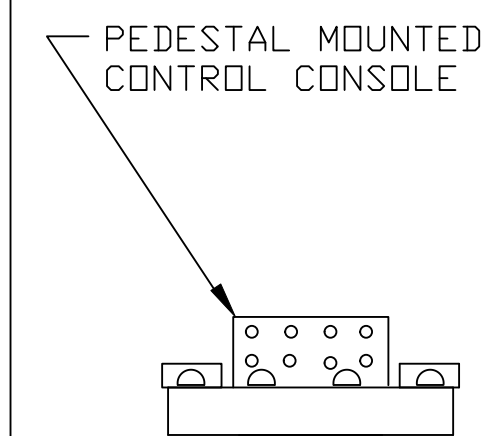


F:\PROJECTS\ACAD10\PACIFIC\60343400 10/16/91 13:17

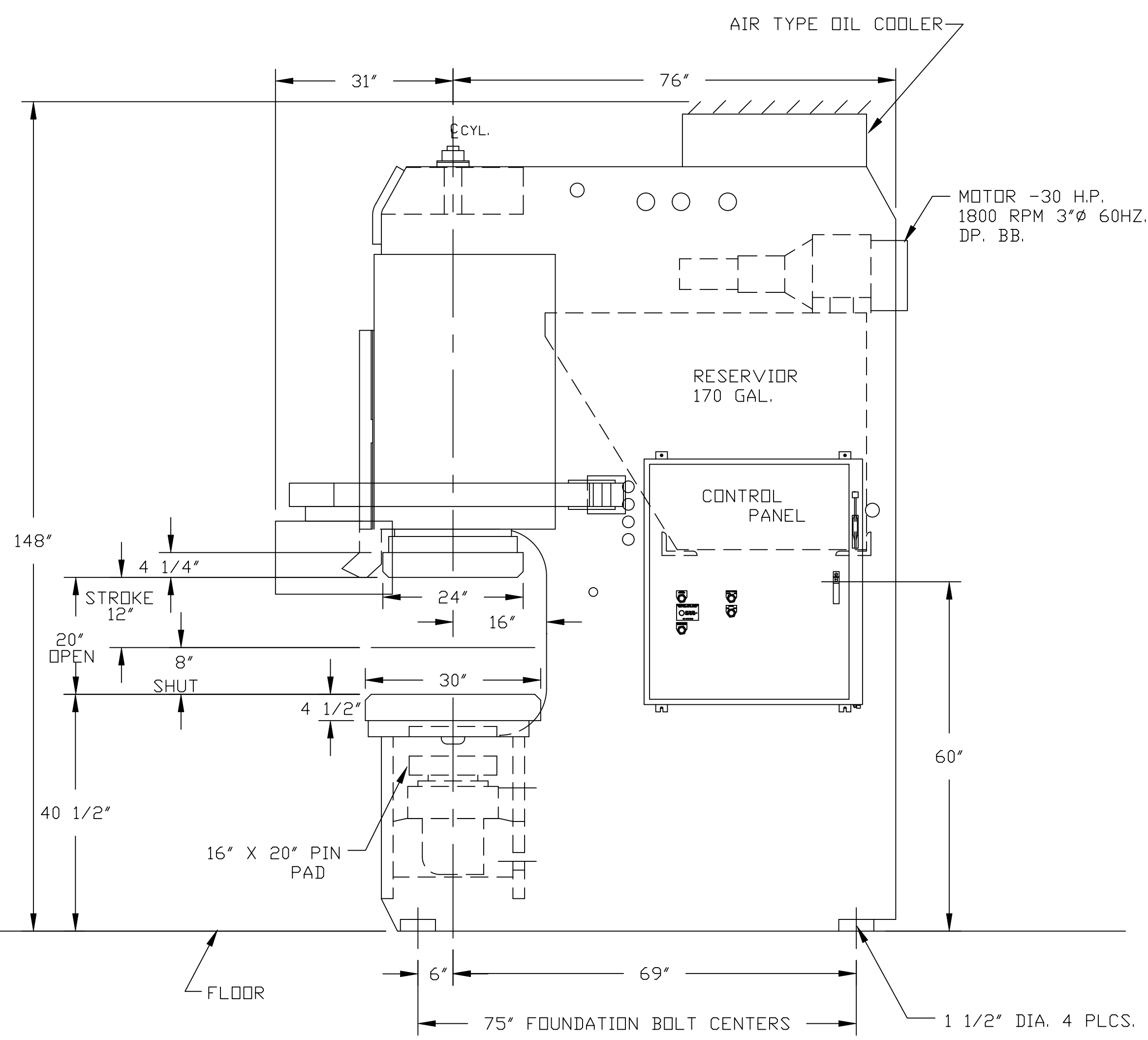


CUSTOMER IS TO FURNISH  
1/2 C.F.M. OF SHOP AIR @  
85 P.S.I. IN A HOSE WITH  
1/4" NPT. CONNECTION



ACCUMULATOR TANK  
(AIR-OIL) 16" DIA. X  
38" HT. (30 GAL.)

6" STROKE  
45 TON CUSHION  
CYLINDER



IT IS THE EMPLOYER'S RESPONSIBILITY TO  
EVALUATE EACH OPERATION AND DETERMINE  
THE BEST METHOD OF PROTECTING  
THE OPERATOR FROM INJURY AT THE POINT-  
OF-OPERATION. THEREFORE, THE PEDESTAL  
MOUNTED TWO-HAND CONTROL MUST BE BOLTED  
TO THE FLOOR AT A LOCATION THAT IS IN  
COMPLIANCE WITH CURRENT FEDERAL, STATE AND  
LOCAL CODES.

USE 170 GALLONS OF HIGH QUALITY HYDRAULIC  
OIL HAVING A VISCOSITY OF 175 TO 230 S.U.S.  
AND A MINIMUM VISCOSITY INDEX OF 95.  
MOBIL DTE 25 MEETS THIS REQUIREMENT.

REF. DWG. FOUNDATION 40701-300

MACHINE WEIGHT 38,150#

CERTIFIED  
BY \_\_\_\_\_ DATE \_\_\_\_\_

SYMBOL	TOLERANCES UNLESS OTHERWISE SPECIFIED	DESCRIPTION	PART NUMBER	QTY.
XX	±.01	FRACTIONAL ±1/64		
XXX	±.005	ANGULAR ±.5°		
ALL DIMENSIONS ARE IN INCHES UNLESS OTHERWISE SPECIFIED				
THIS PRINT AND DESIGN ARE THE PROPERTY OF PACIFIC PRESS & SHEAR, INC. AND SHALL BE KEPT CONFIDENTIAL. THIS PRINT SHALL BE RETURNED TO PACIFIC PRESS & SHEAR, INC. WHEN REQUESTED.				
DES.		DATE:	DRAWING NUMBER	REV.
DRAWN DKC		DATE: 10/16/91	60343-400	
CHKD.		SCALE: 3/4"=1'-0"		

**PACIFIC**  
PRESS & SHEAR, INC.  
MT. CARMEL, ILL.

OUTLINE  
150 PF - OBS (SPEC.)

REV.	DESCRIPTION	DATE	CHKD.	DATE	SCALE	DRAWING NUMBER	REV.	SHT.
						60343-400		